

C.I.P.

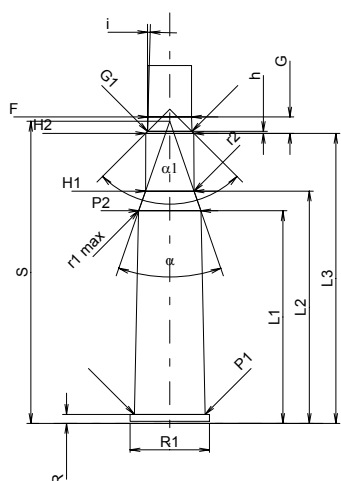
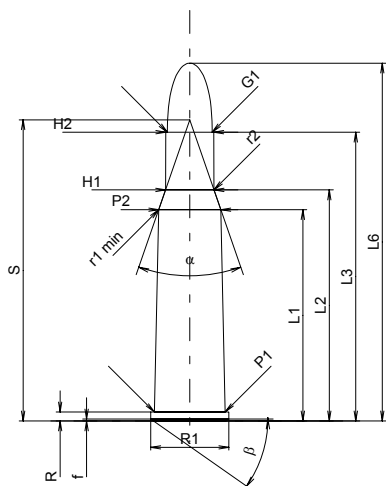
348 Win.

Country of Origin: US

TAB. II

Date 84-06-14

Revision 02-05-15



CARTRIDGE MAXI

Lengths

L1	=	41.91
L2	=	45.83
L3 ¹⁾	=	57.28
L4	=	
L5	=	
L6	=	70.99

Case Head

R ¹⁾	=	1.78	-0.25
R1	=	15.49	
R3	=		
E	=		
E1	=		
e min	=		
delta	=		
f	=	0.38	
beta	=	35°	

Powder Chamber

P1	=	14.05
P2 *	=	12.32

Junction Cone

alpha *	=	38°07'59"
S *	=	59.73
r1 min	=	0.76
r2	=	2.54

Collar

H1 *	=	9.61
H2 ¹⁾	=	9.54

Projectile

G1 ¹⁾	=	8.88
G2	=	
F	=	
L3+G ¹⁾	=	60.53

Pressures (Energies)

Method Transducer

Pmax	=	3200 bar
PK	=	3680 bar
PE	=	4000 bar
M	=	25.00
EE	=	3640 Joule

Miscellaneous Dimensions

Fe ¹⁾	=	0.15
delta L	=	

CHAMBER MINI

Lengths

L1	=	42.17
L2	=	46.07
L3 ¹⁾	=	57.53

Breech

R ¹⁾	=	1.78
R1	=	15.75
R2	=	
R3	=	
r	=	

Powder Chamber

E	=	
P1 ¹⁾	=	14.07
P2 *	=	12.34

Junction Cone

alpha *	=	38°19'58"
S *	=	59.92
r1 max	=	0.76
r2	=	2.54

Collar

H1 *	=	9.63
H2 ¹⁾	=	9.56

Commencement of Rifling

G1 ¹⁾ *	=	8.79
G ¹⁾	=	3.25
alpha1 *	=	90°
h	=	0.39
s	=	
j ¹⁾ *	=	1°30'
w	=	

Barrel

F ¹⁾ *	=	8.64
Z ¹⁾	=	8.84

Grooves

b	=	3.05
N	=	6
u	=	305.00
Q	=	60.50 mm ²

Scale 1:1.5

Dimensions in << mm >>
Dimensions and Tolerances for Proof Barrels
see Appendix CR 1.

Notes: 1) Check for safety reasons
* Basic dimensions